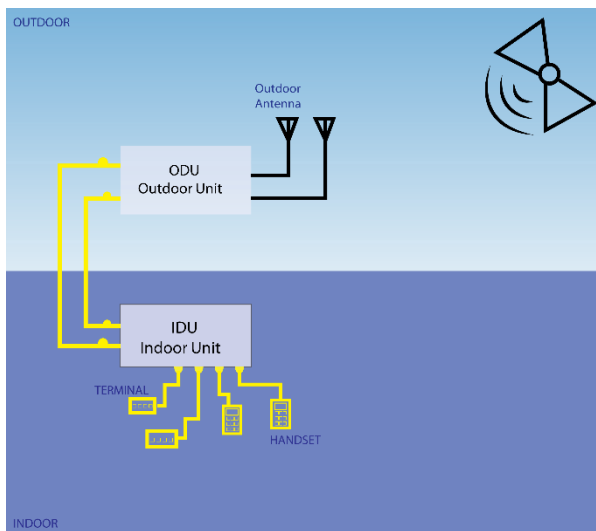




## Iridium Optical Link

# Iridium Optical Link



## Applications

- **Underground Facilities**
- **Military Bunkers**
- **Submarines**
- **Maritime**
- **Oil Rigs**

## Product Description

Global Foxcom is offering an exclusive Iridium solution, which enables users to stay connected to the world at all times even if all primary communication networks are down. The Iridium handset does not require sky view to operate, so users can remain inside in control rooms or bunkers during an emergency.

In addition, users can enjoy the many benefits that optical fiber has to offer, such as low RF transmission loss, improved signal quality, lightning protection, safety and ease of installation.

Global Foxcom's RF-over-Fiber link is the ideal solution for mobile satellite connectivity in ships, oil rigs, military bunkers and other underground facilities.

The kit consists of Global Foxcom's Sat-Light G4000 series outdoor unit (ODU) and dual outdoor Iridium antennas. RF coax cables are also included in the package. Pre-connectorized fiber cables are available in different lengths as an option.

Global Foxcom offers a full SATELLITE solution, which includes a separate or integrated GPS system as well as Inmarsat. For more information, contact Global Foxcom sales.

# Iridium Optical Link



## Specifications

### Iridium Optical Link Specifications

<b>Downlink</b>		
Frequency range	1616-1626.5MHz	
ODU input / IDU output VSWR	1:1.6dBm	
ODU RF input signal range [total power]	Up to -20dBm	
Noise Figure	<5dB	
<b>Uplink</b>		
Frequency range	1616-1626.5MHz	
IDU input / ODU output VSWR	1:1.6dBm	
IDU RF input signal range [total power]	Up to +30dBm	
Noise Figure	<5dB	
<b>Optical Specifications</b>		
Required fiber type	Single SMF-28 or equivalent [single mode]	
Optical wavelength	1310±10nm	
IDU/ODU optical power output	-3dBm / 0.5mW (Min)	
Optical connector	FC-APC	
Fiber length	3Km max (2dB)	
<b>Physical Specifications</b>	<b>Indoor</b>	<b>Outdoor</b>
RF Connectors	Single SMA Female	Dual N-Type Female
Dimensions	Compact 13.2Lx20.8Wx58.6Hcm	36Lx29Wx13.5Hcm
Operating temperature	-20 to +55°C	-30 to +55°C

## Ordering Information

Product Part Number	Description
IRIDKIT02 C	Compact Iridium Optical Link kit