



+44 (0) 1438 310510



global invacom
completing the picture



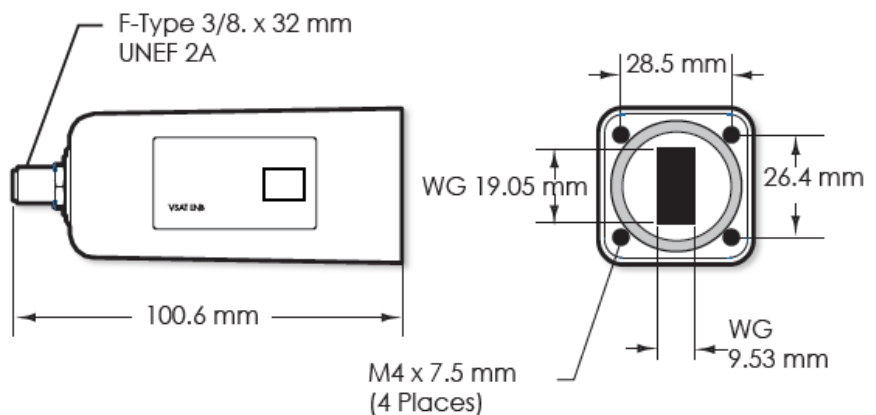
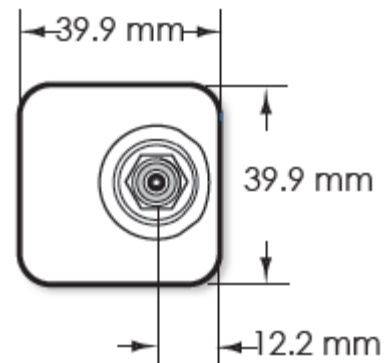
Sales@globalinvacom.com

Part Number:
F801058 - Pro

Ku band VSAT LNB



- ⇒ Low Cost PLL LNB
- ⇒ Full Ku Band frequency range in two switchable bands
- ⇒ Band switching with 22 kHz tone
- ⇒ PLL – type local oscillator with internal +/- 25 ppm reference
- ⇒ Input transmit reject filtering
- ⇒ Compact, lightweight form factor
- ⇒ O-ring, hardware included
- ⇒ CE compliant
- ⇒ RoHS compliant





+44 (0) 1438 310510



global invacom
completing the picture



Sales@globalinvacom.com

Electrical Specification

Parameter		Minimum	Typical	Maximum	Unit	Note
RF Input frequency	Low band	10.70		11.7	GHz	
	High band	11.70		12.75	GHz	
IF Output Frequency	Low band	950		1950	MHz	
	High band	1100		2150	MHz	
Local Oscillator Frequency	Low band		9.75		MHz	Nominal
	High band		10.6		MHz	
Local Oscillator Tolerance	overall			±25	ppm	From Nominal
Local Oscillator Integrated Phase Noise (SSB)	@ 1 kHz			-75	dBc/Hz	
	@ 10 kHz			-76	dBc/Hz	
	@ 100 kHz			-86	dBc/Hz	
	@ 1 MHz			-104	dBc/Hz	
Local Oscillator Integrated Phase noise	1kHz - 10 MHz		1.6	2	°	DSB RMS phase jitter
Noise figure @ 25°C	w/o OMT-TRF		0.8	1.1	dB	
Conversion Gain		52	57	63	dB	
TX Signal Immunity	Conversion Gain			0.2	dB	With TX signal from 13.75 - 14.5 GHz
Change relative to nominal	Noise figure			0.2	dB	at -20 dB on the input
In - band gain variation	Overall			6	dB	
	Any 36 MHz			1.5	dB	Max - Min
	Any 500 MHz			5	dB	
Image band rejection		35			dB	
IF output IP3		+ 10			dBm	Carrier spacing > 5MHz
IF output P1dB		3			dBm	
IF output spurious	In - band			-40	dBc	@ IF O/P carrier = -15 dBm in 10 kHz
	Out of band			-25	dBm	
IF output impedance			75		Ohm	
IF output return loss		10			dB	
IF output connector						F - type female
Control tone frequency		18		26	Khz	
Control tone level	Low band	0		100	mV	
	High band	400	600	800	mV	
Supply voltage		10		24	V	
Supply current				100	mA	

General Specification

Parameter	Minimum	Typical	Maximum	Unit	Note
Weight			170	g	
Operating temperature	-40		55	°C	
Moisture/Humidity protection		IP67			Per EN 60529

Global Invacom Ltd

Reg No: 2319127

First Floor Freeman house, John Roberts Business Park, Bean hill
Canterbury
CT5 3BJ

VAT No. GB594 7656 78