



Sat-Light Platinum Series

Series 3000 CWDM Multiplexer & Demultiplexer



Features & Benefits

- Multiplexes up to 8 L-Band and RF channels
- Reduced cost of leasing or laying fiber
- Thin film filter technology provides reliable and cost-effective performance
- 1 RU Box for simple installation
- Protocol transparent

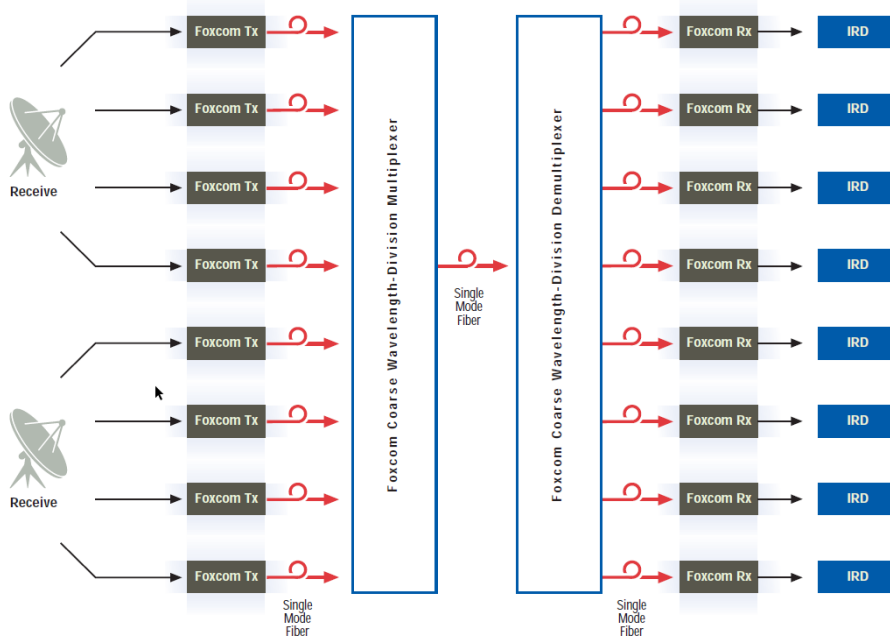
Product Description

Global Foxcom's Coarse Wavelength-Division Multiplexer (CWDM) can combine up to 8 fiber outputs from Global Foxcom's fiber optic transmitters into one single fiber. Each transmission is on a different optical wavelength. CWDM technology uses ITU standard 20nm spacing between wavelengths from 1470 nm to 1610 nm. Each wavelength is transmitted on a separate single mode fiber optic cable and then multiplexed onto a single fiber. Global Foxcom's Coarse Wavelength Division De-multiplexer reverses the process, separating light into 8 separate fiber paths.

With Global Foxcom's CWDM solution, transmitting multiple L-Band and 70/140 IF Band signals over a single fiber becomes a simple and cost effective process. CWDM overcomes the need for installing new fiber or leasing cables. By using Global Foxcom's CWDM solution, long distance transmission up to 50Km can be achieved.

Sat-Light Platinum Series

Typical Block Diagram



Specifications

	MUX		DEMUX
Channel center wavelengths	1471, 1491, 1511, 1531, 1551, 1571, 1591, 1611 nm		
Channel center wavelength separation		20 nm	
Channel bandwidth at channel insertion loss		>13 nm	
Insertion loss	<2.4 dB		<2.7 dB
Link loss with mux/demux combination		4 dB	
Optical return loss		50 dB	
Adjacent channel isolation	-		>30 dB
Non-adjacent channel isolation	-		>50 dB
Channel uniformity with mux/demux combination		<0.8 dB	
Total input power		500 mW max	
Polarization dependent loss		0.1 dB	
Wavelength thermal stability		0.005 nm/°C	
Operating temperature		-10°C to +70°C	
Storage temperature		-40°C to +85°C	
Dimensions (inches)		1U x 19 x 12	

Specifications do not include connectors.

Ordering Information

Description	Model
Multiplexer	3000M
De-multiplexer	3300E