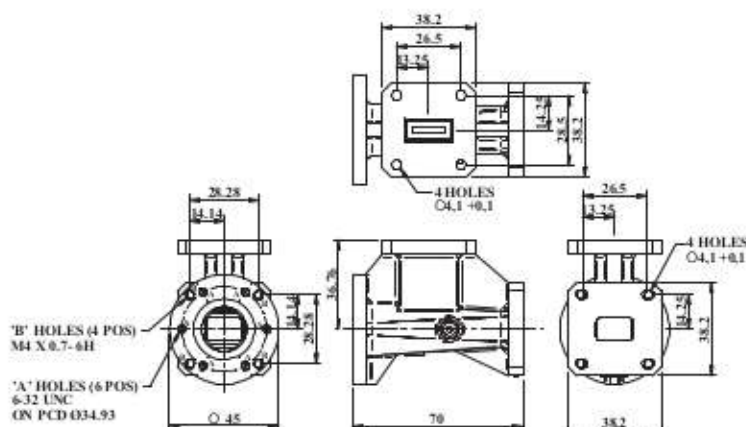


VSAT OMT

KU Band OMT



global invacom
completing the picture



OMT-1 SU

Designed for use within the Global Invacom VSAT ODU this compact KU band OMT is light weight and aesthetically pleasing.

Easy to install and practical it compliments the Global Invacom range of Transmitters and VSAT WG75 LNBs providing a fully integrated solution.

The unit has WR75 flanged ports at the transmit and receive inputs. The transmit port is the end port of the OMT.

See also specifications for, VSAT Transmitters TUL-051, TUL-101 and TUL-201 and for VSAT LNBs SPV-30SM, SPV-31SH, SPV-40SH and SPV-41SM.

1. Waveguide Interfaces	
Feedhorn Port	C120 with M3 threaded holes
Transmitter Port	WR 75 with M3 through holes
LNB Port	WR 75 with M3 through holes
2. Frequency	
Transmit,	13.75 - 14.5 GHz
Receive,	10.7 - 12.75 GHz
3. Return Loss	
Transmit port	22dB Typ
Receive port	20dB Typ
Feedhorn port	20dB Typ
4. Isolation TX port to RX port at TX frequency	35 dB
5. Cross Polarisation	
Transmit	35 dB
Receive	35 dB
6. Insertion Loss	
TX port to RX port	0.2 dB
RX port to Feedhorn port	0.2 dB
7. Maximum Input Power	
TX port to Feedhorn	50 dBm
8. Operating Temperature	-40 to +75 °C
9. Weight	95g

