



Sat-Light Military Series

4004 Outdoor Enclosure (ODU)



Features & Benefits

- IP-67 Enclosure for Extreme Outdoor Mounting Conditions
- Integrated Power Supply and Optional Redundant Power Supply
- Suitable for Uplink or Downlink Applications
- Milspec Optical Connectors: TFOCA or Hermaphraditic
- 50 Ohm N-type Connectors
- Can include Bi-directional Serial Data or Ethernet Transceiver

Product Description

The Global Foxcom Series Outdoor Unit (ODU) 4004 is an outdoor enclosure providing IP-67 weatherproof protection for Global Foxcom Sat-Light Interfacility Links. The 4004 ODU is built for extreme environments and rugged tactical use. Milspec TFOCA or Hermaphraditic-type optical connectors can be specified offering unsurpassed performance in field conditions. SNMP support offers monitoring capabilities of active components in the ODU. The 4004 ODU can be populated with combinations of L-Band, 70/140 MHz IF, RF (C or X-Band) transmitters and receivers, or serial/Ethernet transceiver.

Most product options offer manual gain control (MGC). The ODU contains an internal power supply sufficient for any combination of transmitters and receivers. Redundant power supply options and LNB powering are available. Prime power to the ODU is via a weather-tight connector from an AC power supply. Operational status is displayed via LEDs on the cover.

The Sat-Light IFLs function as a transparent link between the satellite antenna, Network Operations Center (NOC), control room, or field operations centers. System limitations using coaxial cable are overcome by the superior performance of fiber optic transport

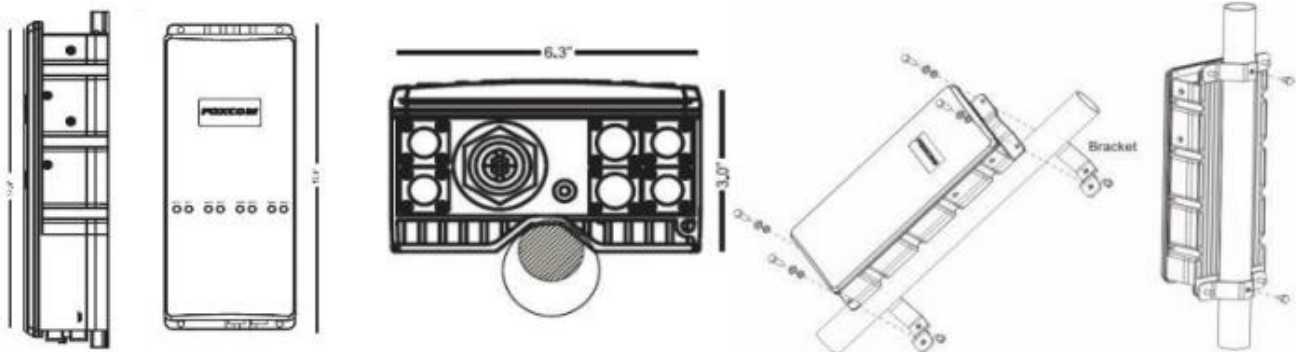
When configured with transmitters in a downlink application both satellite polarities can be accommodated. In an uplink configuration an ODU mounted near the antenna, holding several receivers, can feed a standalone up-converter, block converter (BUC), or transceiver. The 4004 ODU can also be configured as a transceiver for VSAT applications. The unit includes an integrated power supply.

Sat-Light Military Series

General Characteristics

Enclosure Capacity	Up to 4 Units
Enclosure Size	14" x 6" x 3" (H x W x D)
Enclosure Weight	6 Kg
ODU Color	Olive for 4004 (Optional Cream) Cream for 4005 (Optional Olive)
RF Connector	F-type Female/N-Type Female
Optical Connector Quantity	4004 (Tactical) 4 for 4005
Optical Connector Type	FC-APC (Internal)
Input Power	90 to 260 VAC, 50/60 Hz, 0.5 Amp (max)
Power Consumption	20 Watts (Including six LNB powering)
Operating Temp. Range	-30 to +55°C
Storage Temp. Range	-40 to +85°C
Humidity	Humidity 95%, non-condensing
Dust and Water Protection	IP67 4004 IP64 on 4005

Mechanical Specifications



Ordering Information

Product Part Number	Description
4004	IP67 Outdoor enclosure for Sat-Light gold and Sat-Light Classic cards, Tactical hermaphroditic optical connector, 4 cards capacity.
4005	IP64 Outdoor enclosure for Sat-Light gold and Sat-Light Classic cards, 4 FC Optical connectors, 4 cards capacity.