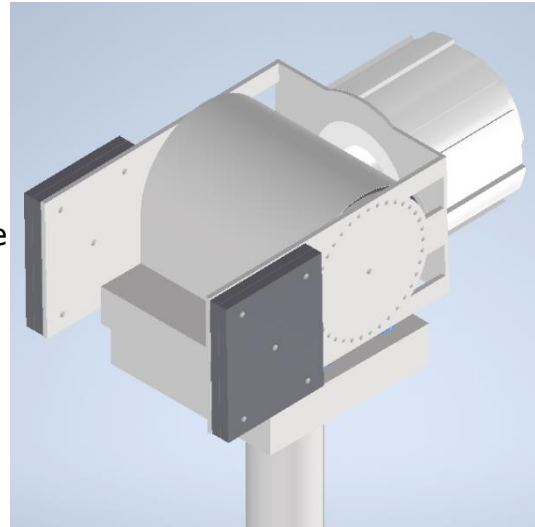


## Features

- Full Motion Motorization with up to 360° continuous Azimuth and 180° Elevation movement
- Scalable design for any Earth Station Antenna (ESA) from 4.5m to 9.0m aperture
- Including High Precision Slewing Drives with up to 0,03° accuracy
- Azimuth Axis includes a dual slewing drive in a self-locking configuration with 2 servomotors working in a tandem Parent/Child Configuration for high precision driving and minimized backlash.
- Elevation Axis includes two slewing drives with 2 Servo Motors
- 230V or 400V AC variable speed Servomotors & Servo controllers
- Adaptive Counterweights calculated for any antenna size enhancing positioner life and providing a smoother antenna positioning
- APS700 Series Antenna Controller



Specifications	
Motorisation type	2 <sup>nd</sup> Gen 2-Axis Positioner, Elevation Over Azimuth
Material	Hot Dip Galvanized Steel
Compatible Antennas	4,5m – 9,0m diameter, any ESA , any Frequency Band
Positioner Interface	Positioner Pedestal
Travel Range	180°(max. 360°)
Azimuth	0° – 90°, extended range 0° - 180°
Elevation	
Speed	Up to 1°/sec
Pointing accuracy	0,03°
Motors	230V & 400V Servomotors
Motor Controllers	Intelligent Motion Controllers for variable speed and dynamic Acceleration/Deceleration
Power Consumption	Up to 20kW depending on requirements
Controller	APS700 Series Controller, Handheld Controller
Wind Speed Operational	80 km/h
Survival	200 km/h
Temperature	-30 to 60°C
Humidity	0 to 100%