

# Model ACCTM60001 60mm Tri-mast

---



Skyware Global  
1315 Industrial Park Drive  
Smithfield, NC 27577 USA

Telephone: +1-919-934-9711

Internet: [www.skywareglobal.com](http://www.skywareglobal.com)

Printed in U.S.A.

05/10 8001034-01 Rev A ECR 769

## MANUAL REVISION HISTORY

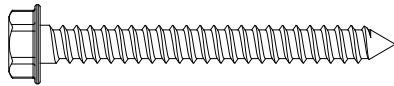
DATE	DESCRIPTION	REVISION
05/10	ECR 769	Rev A

### 60mm Tri-Mast - Model

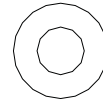
The Tri-mast unit comes completely assembled ready for installation. This product has been designed for roof, floor and wall mount installations to fit strut centers between 16 and 24 inches.

Determine the optimum position to mount the antenna system around the property, remove the brackets and hardware from the shipper.

#### Hardware



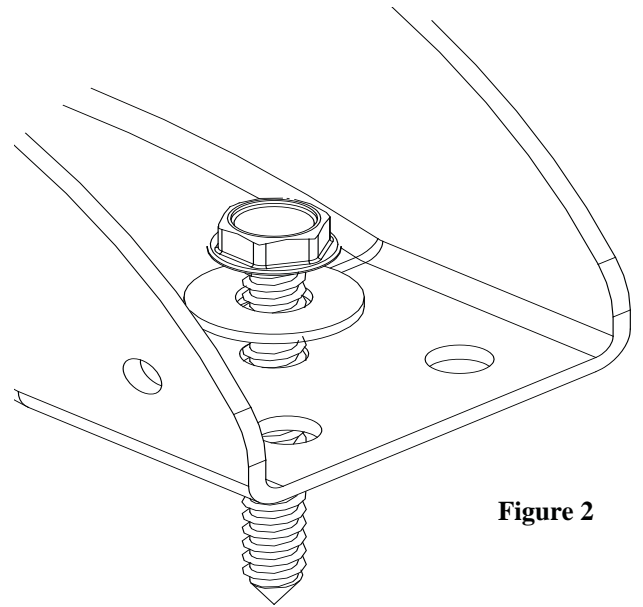
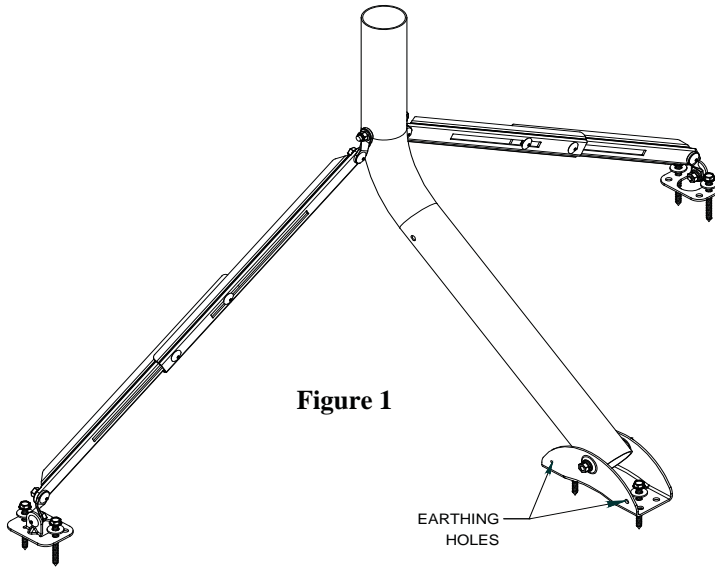
**5/16" UNC lag bolt X 6**



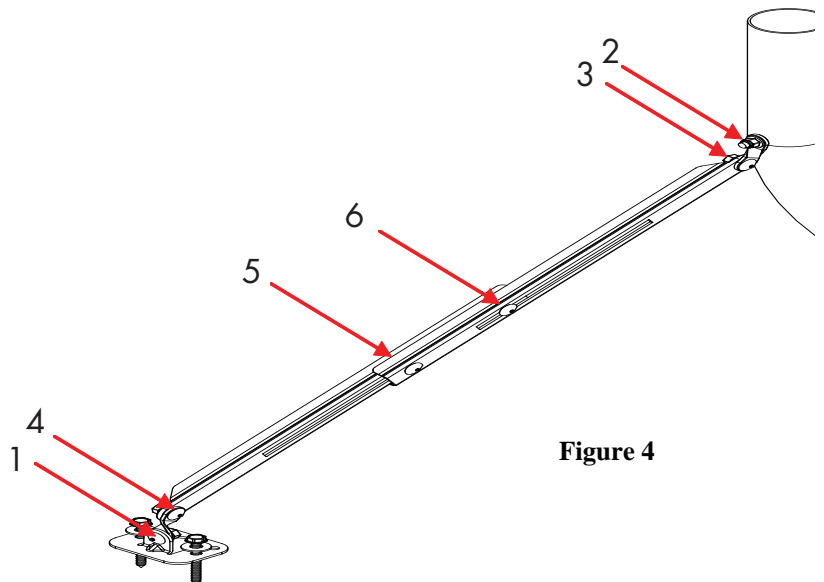
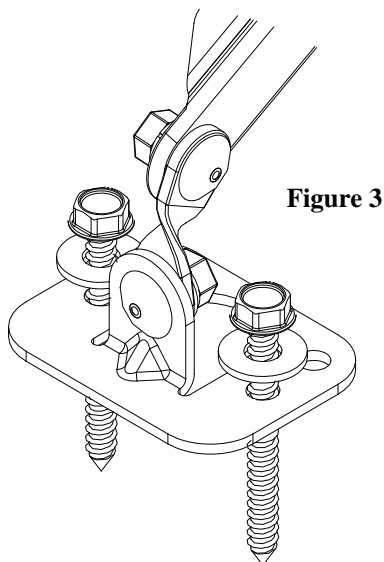
**5/16" Washer X 6**

## Floor mount

Unfold the Tri-mast unit and position the foot as shown (figure 1). On a flat level surface (where possible), mark the centre holes of the foot as shown in figure 2, using the correct hardware to secure the foot to the floor. Using a spirit level ensure the mast is vertical in two planes 90 degrees apart, then secure the bolt through the tube to 20N/m (14.7lbf-ft). Ensuring that the adjustable stays are free to move, position the wall feet on the ground a minimum distance of 12" in any direction from the wall mount bracket to triangulate the forces. Affix the 2 wall mount plates to the floor (figure 3).



Using the spirit level, ensure the mast has remained vertical in both planes before following the tightening sequence as shown in figure 4 on both stays. The bolt numbered 2 on the tightening sequence should not exceed 8N/m (6lbf-ft). Bolts 1, 3, 4, 5 and 6 must be tightened to a torque of 16N-m (12lbf-ft)

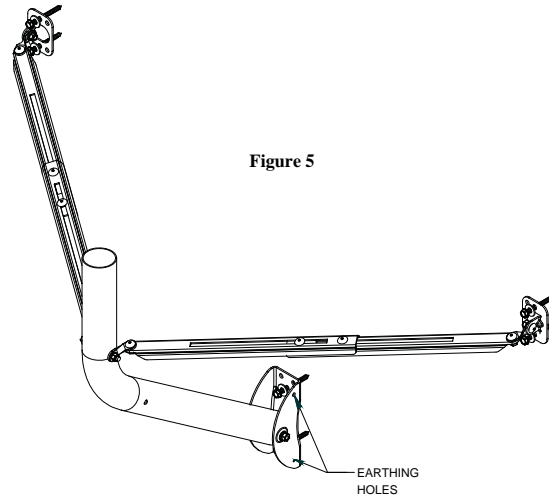


## **Wall mount**

To install the tri-mast in the wall mount orientation, follow the floor mount installation sequence as above.

Note:

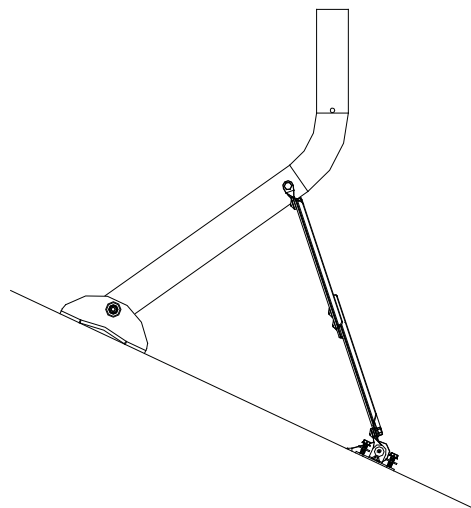
Additional holes have been provided in the 3 mounting points to the wall. Should the installer enter the cladding without hitting the joist, additional hardware (not supplied) must be used to affix to the wall. It is the installer's responsibility to make any additional holes good.



## **Roof mount**

The mount has been designed to allow installation to a roof (figure 6). It is important that the strut position on the mast is moved to the hole beneath the bend in the tube.

The installation method as described in the floor mount option must then be used.



As part of Skyware Global's commitment to the environment, all packaging is recyclable.