



GPS 4 WAY PASSIVE SPLITTER

G-SP4/PN-DC1

Description

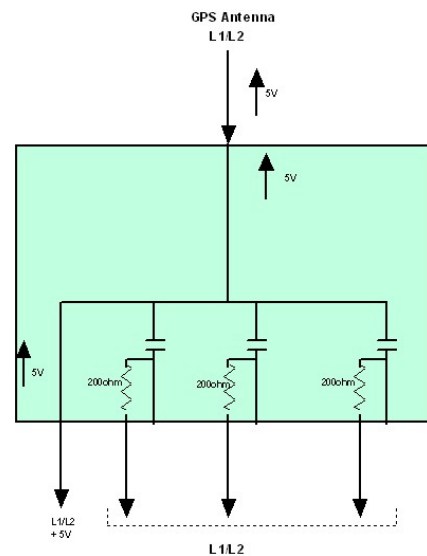
The Global Professional GPS PASSIVE 4 way Splitter has been designed to allow the signal from a GPS antenna to be shared between four receivers.

The unit is configured to pass the 5v DC from port one receiver through to the antenna port. All other ports incorporate a 200 Ohm DC load to simulate an antenna DC Current draw.



Specifications

| | |
|------------------------|---------------------------------|
| Frequency Pass | L1 1575.42MHz L2 1227.60 MHz |
| Noise figure | 2.5dB |
| Port to port isolation | >20dB |
| Through Loss | 8dB |
| DC Input (Port one) | 5 Volt |
| Connectors | 'N' type as standard 50 Ohm |
| Dimensions | 116mm x 66mm x 26mm |
| Mounting Dimensions | 105mm x 57mm |
| Weight | 400 grams |
| RoSH/WEEE Compliant | YES |



Typical Configuration

Other Connector configurations available upon request.