

L BAND 8 WAY ACTIVE COMBINER

L-CO8/AN-DC1

Description

The Global Professional L BAND ACTIVE 8 way Combiner has been designed to combine L band from a typical satellite system with negligible insertion loss.

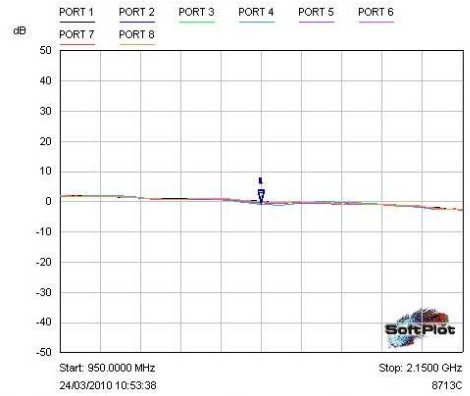
Port one will allow DC to pass through from receiver through to the combined output port. All other ports are DC blocked.

The unit can be powered via port one or alternatively external powering is available. PSU's are available if required.



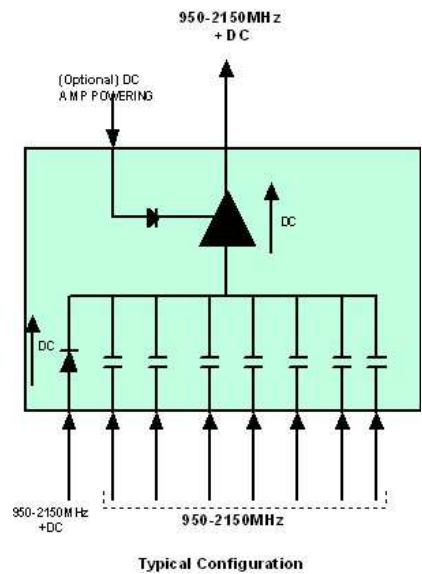
Specifications

Frequency Pass	950MHz - 2150MHz
L Band Through Loss 950 -2150MHz	0dB ± 3dB
Port to Port Isolation	+20dB
Return Loss	+15dB
DC Passing	Port 1 Only
MAX DC Current (Passing)	1 AMP
Max DC Supply Voltage	48 Volts
Current Consumption	60mA
Connectors	'N' type as standard 50 Ohm
Dimensions	223mm x 98.5mm x 26mm
Mounting Dimensions	212.5mm x 88.5mm
Weight	1200 grams
RoSH/WEEE Compliant	YES



Mkr	Trace	X-Axis	Value	Notes
1	PORT 1	1.5500 GHz	0.08 dB	
2	PORT 2	1.5500 GHz	-0.37 dB	
3	PORT 3	1.5500 GHz	-0.80 dB	
4	PORT 4	1.5500 GHz	-0.85 dB	
5	PORT 5	1.5500 GHz	-0.37 dB	
6	PORT 6	1.5500 GHz	-0.22 dB	
7	PORT 7	1.5500 GHz	-0.09 dB	
8	PORT 8	1.5500 GHz	-0.03 dB	

LBand



Other Connector configurations available upon request.