



**VSAT 10MHz Active Signal Splitter**

**V-10MHS4/AN-DCB**

**Description**

The Global Professional VSAT 10MHz active splitter has been designed to split the level from a reference oscillator to 4 outputs with no through loss before feeding into a VSAT distribution system.

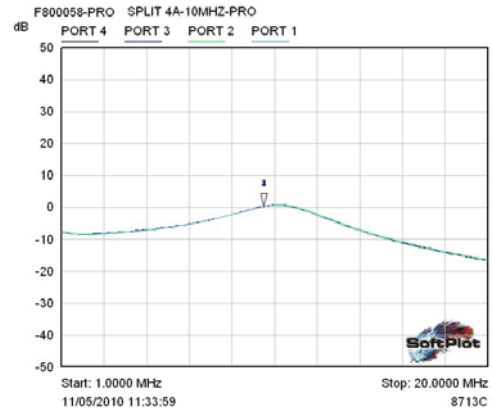
Only the 10MHz reference frequency is passed and all other frequencies are filtered out.

The unit requires an external Power supply which can be ordered upon request.



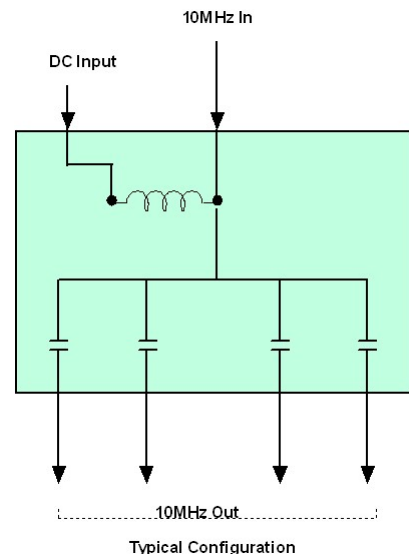
**Specifications**

Frequency Pass	10MHz
Gain at 10MHz 0dBm Input	0 dB ± .5dB
Max I/P level	+7dBm
Connectors	'N' type as standard 50 Ohm
DC Supply Voltage	+12Vdc to +24Vdc
Current consumption	70mA
Connectors	N-Type 50 Ohm Female
Dimensions	115mm x 67mm x 26mm
Mounting Dimensions	105mm x 57mm (M3)
Weight	250 grams



Mkr	Trace	X-Axis	Value	Notes
1	∇	PORT 4	10.0250 MHz	0.35 dB
2	∇	PORT 3	10.0250 MHz	0.41 dB
3	∇	PORT 2	10.0250 MHz	0.33 dB
4	∇	PORT 1	10.0250 MHz	0.34 dB

VSAT



**Other Connector configurations available upon request.**