



10MHz Extractor / Inserter +DC

V-EXIN/PN-DCI

Description

The Global Professional 10MHz Extractor / Inserter is used to Extract, or Insert a 10MHz reference signal and DC onto an L band Path in VSAT Systems.

Inserts or Extracts DC and/or 10MHz (common port) onto an L Band Path.

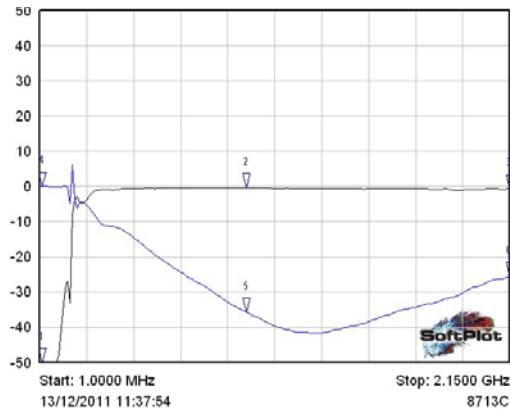
Blocks any existing DC and 10MHz already on the L Band Path.

Injects DC onto the common port.



Specifications

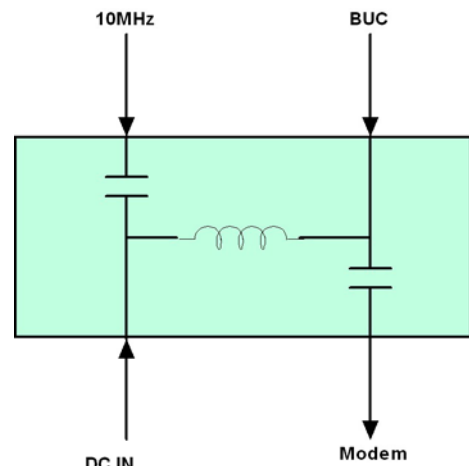
L Band Frequency Pass	950 -2150MHz
L Band Insertion Loss	<1dB
L Band Return Loss	>15dB
10MHz Insertion Loss (10MHz to Composite Port)	<0.5dB
10MHz Rejection (L Band Port to Composite Port)	>90dB
Max DC Voltage	75V
MaxDC Current	4 Amps
Connectors	N-Type 50 Ohm Female
Dimensions	88 x 43 26mmm
Mounting Dimensions	78 x 32mm (M3)
Weight	250 grams



Mkr	Trace	X-Axis	Value	Notes
1	PORT 1	11.7450 MHz	-97.64 dB	10MHz Blocking
2	PORT 1	946.5600 MHz	-0.28 dB	L Band Passing
3	PORT 1	2.1500 GHz	-0.67 dB	L Band Passing
4	PORT 2	11.7450 MHz	-0.04 dB	10MHz Passing
5	PORT 2	946.5600 MHz	-35.75 dB	L Band Blocking

VSAT

Other Connector configurations available upon request.



Typical Configuration